

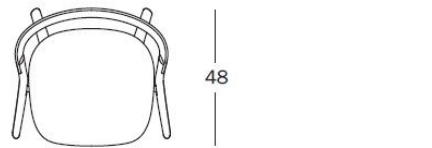
Ash
Stacking chair.
Seat and back in ash plywood, natural or stained. Legs in solid ash, natural or stained. Joining element in die-cast aluminium, sanded or painted in epoxy resin.

— Complete with felt pads.
(For a correct use we recommend replacing the feet with the felt pads)

SD1870 Joining element - Frame:
sanded - natural 7018
sanded - grey
sanded - red
sanded - brown

news
news
news

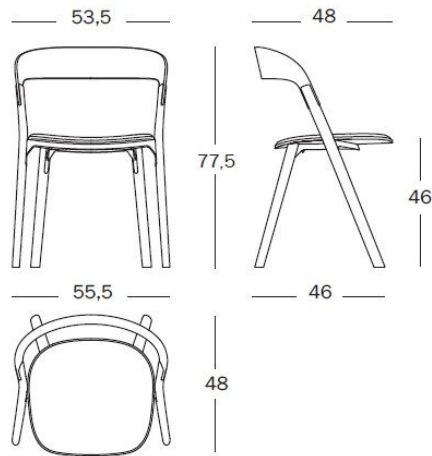
SD1875 black - black 7065



Oak
Stacking chair.
Seat and back in oak plywood, natural. Legs in solid oak, natural. Joining element in die-cast aluminium, sanded.

SD1871 Joining element - Frame:
news sanded - natural

2	Kg	12,00	m ³	0,269 (0,58x0,51x0,91)	4
		4,30		9401.69.00	



Ash (Seat padded)
Chair.
Seat and back in ash plywood, natural or stained. Legs in solid ash, natural or stained. Joining element in die-cast aluminium, sanded or painted in epoxy resin. Seat upholstered and covered in fabric (Kvadrat, "Divina 3" and "Divina MD").

— Complete with felt pads.
(For a correct use we recommend replacing the feet with the felt pads)

SD1877 Joining element - Frame - Cushion (fabric):
news sanded - natural 7018 - Divina3 white 106
sanded - natural 7018 - DivinaMD grey 713

sanded - grey - DivinaMD grey 713
sanded - grey - DivinaMD pink 613

sanded - red - Divina3 orange 552
sanded - red - Divina3 green 984

sanded - brown - DivinaMD dark blue 783
sanded - brown - Divina3 dark brown 393

SD1878 black - black 7065 - Divina3 black 191
news

2	Kg	12,40	m ³	0,269 (0,58x0,51x0,91)
		4,50		9401.69.00



The mark of responsible forestry

Test:

ANSI/BIFMA X5.1-2011
Back vertical static load test EN 15373:2007, L3
Leg forward static load test EN 15373:2007, L3
Safety requirements EN 15373:2007
Seat and back static load test EN 15373:2007, L3
Seat impact test EN 15373:2007, L3

Back impact test EN 15373:2007, L3
Information for use EN 15373:2007
Leg sideways static load test EN 15373:2007, L3
Seat and back fatigue test EN 15373:2007, L3
Seat front edge fatigue test EN 15373:2007, L3
Stability EN 1022:2005