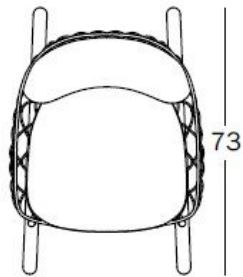
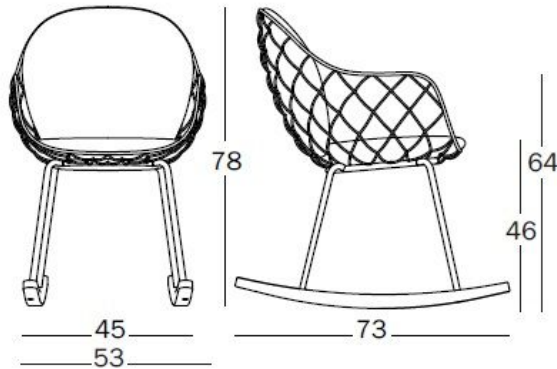


Piña

design jaime hayón

2014



The mark of responsible forestry

Rocking chair.

Frame in steel tube painted in polyester powder. Seat in steel rod painted in polyester powder. Rockers in solid ash natural or painted.

Seat/back cushion in expanded polyurethane with removable cover in fabric (Kvadrat, "Steelcut 2").

— Complete with felt pads.

— Expanded polyurethane (1 IM)


SD1846

Rockers - Frame - Cushions (fabric):
black - black 5140 - black F-767 (190)
red - red 5084 - coral red F-089 (550)

SD1847

natural - white 5108 - white F-730 (110)

With fabric supplied by the customer

 (X1) mt. 1,1 h. 1,4 minimum of 6 pcs

Rocking chair.

Frame in steel tube painted in polyester powder. Seat in steel rod painted in polyester powder. Rockers in solid ash natural or painted.

Seat/back cushion in expanded polyurethane with removable cover in leather.

— Complete with felt pads.

— Expanded polyurethane (1 IM)

SD1848


Rockers - Frame - Cushions (leather):
black - black 5140 - black L-0795

SD1849

natural - white 5108 - white L-0700
natural - black 5140 - black L-0795

With leather supplied by the customer

 (X1) mq. 2,0 minimum of 6 pcs
multiples of 3 pcs

	Kg	10,60	m ³	0,358 (0,74x0,59x0,82)
1		6,10		9401.79.00

Test:

Arm downwards static load test EN 16139:2013, L2
 Arm rest impact test EN 16139:2013, L2
 Back impact test EN 16139:2013, L2
 Leg forward static load test EN 16139:2013, L2
 Safety requirements EN 16139:2013, L2
 Seat and back static load test EN 16139:2013, L2
 Seat impact test EN 16139:2013, L2
 Vertical load on back rest EN 16139:2013, L2

Arm fatigue test EN 16139:2013, L2
 Arm sideways static load test EN 16139:2013, L2
 Information for use EN 16139:2013, L2
 Leg sideways static load test EN 16139:2013, L2
 Seat and back fatigue test EN 16139:2013, L2
 Seat front edge durability test EN 16139:2013, L2
 Stability EN 1022:2005