

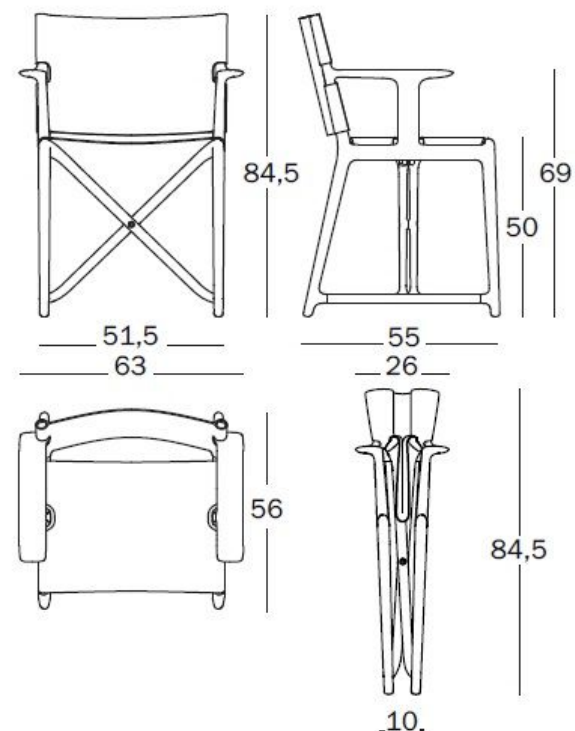
**Stanley**  
design philippe starck  
2017



Folding director's chair.  
In polypropylene with glass fibre added.  
Seat and back in fabric (Plastitex  
"THINNY\_NEW YORK").  
! Suitable for outdoor use.

**SD1930**

Frame - Fabric:  
white 1735 C - white F-738 PVC  
black 1765 C - black F-758 PVC  
beige 1733 C - beige F-458 PVC



1	Kg	9,00	m <sup>3</sup>	0,202 (0,59x0,39x0,88)	☀️☁️☔️
		6,50		9401.80.00	

**Test:**

ANSI/BIFMA X5.1-2011  
Arm fatigue test EN 1728:2012  
Arm sideways static load test EN 1728:2012  
Information for use EN 16139:2013  
Leg sideways static load test EN 1728:2012  
Seat and back fatigue test EN 1728:2012  
Seat front edge durability test EN 1728:2012  
Stability EN 1022:2005

Arm downwards static load test EN1728:2012  
Arm rest impact test EN 1728:2012  
Back impact test EN 1728:2012  
Leg forward static load test EN 1728:2012  
Safety requirements EN 16139:2013  
Seat and back static load test EN 1728:2012  
Seat impact test EN 1728:2012  
Vertical load on back rest EN 1728:2012