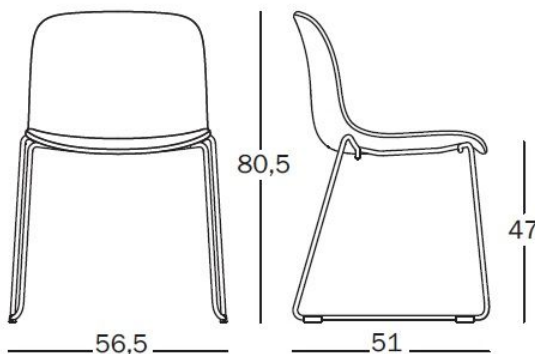


Troy

design marcel wanders
2010/2014



Fully covered

Chair.

Frame in chromed steel rod. Seat in polypropylene upholstered and covered in fabric (Kvadrat "DivinaMD" e "Divina Melange").

— Complete with felt pads.

— Expanded polyurethane (crib 5)

Chair.

Frame in steel rod painted in polyester powder. Seat in upholstered polypropylene covered in fabric (Kvadrat "DivinaMD" e "Divina Melange").

SD3385

Frame - Seat:

chromed - red mélange F-126 (531)

chromed - blue F-251 (773)

chromed - purple mélange F-492 (581)

chromed - light grey mélange F-506 (120)

chromed - grey mélange F-509 (170)

chromed - dark grey mélange F-512 (180)

SD3386

Frame - Seat:

white 5110 - red mélange F-126 (531)

white 5110 - blue F-251 (773)

white 5110 - purple mélange F-492 (581)

white 5110 - light grey mélange F-506 (120)

white 5110 - grey mélange F-509 (170)


white 5110 - dark grey mélange F-512 (180)


black 5140 - blue F-251 (773)

black 5140 - purple mélange F-492 (581)

black 5140 - dark grey mélange F-512 (180)

With fabric supplied by the customer

 (X1) mt. 1,1 h. 1,5 minimum of 6 pcs

	Kg	19,00	m ³	0,362 (0,65x0,58x0,96)
		7,00		9401.79.00

Accessories, go to page >

79

Test:

ANSI/BIFMA X5.1-2011

Leg sideways static load test EN 16139:2013, L2

Seat and back fatigue test EN 16139:2013, L2

Seat front edge durability test EN 16139:2013, L2

Vertical load on back rest EN 15373:2007

Leg forward static load test EN 16139:2013, L2

Safety requirements EN 16139:2013, L2

Seat and back static load test EN 16139:2013, L2

Stability EN 1022:2005