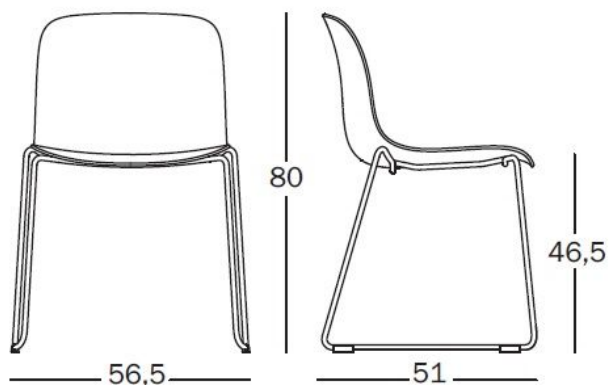


Troy

design marcel wanders

2010/2014



Plywood

Stacking chair.

Frame in steel rod, chromed or painted in polyester powder. Seat in beech plywood.

_ Complete with felt pads.

SD3404

Frame - Seat:

chromed - natural beech 7010

chromed - black beech 7065

Item packed 2 per carton

SD3406

Frame - Seat:

white 5105 - natural beech 7010

black 5140 - beech stained black 7065

Item packed 2 per carton



The mark of responsible forestry

	Kg	33,00	m ³	0,362 (0,65x0,58x0,96)		6
		7,00		9401.79.00		
	Kg	18,00	m ³	0,362 (0,65x0,58x0,96)		6
		7,00		9401.79.00		

Accessories, go to page >

79

Test:

ANSI/BIFMA X5.1-2011

Leg sideways static load test EN 16139:2013, L2

Seat and back fatigue test EN 16139:2013, L2

Seat front edge durability test EN 16139:2013, L2

Vertical load on back rest EN 15373:2007

Leg forward static load test EN 16139:2013, L2

Safety requirements EN 16139:2013, L2

Seat and back static load test EN 16139:2013, L2

Stability EN 1022:2005