

Troy

design marcel wanders
2012/2014

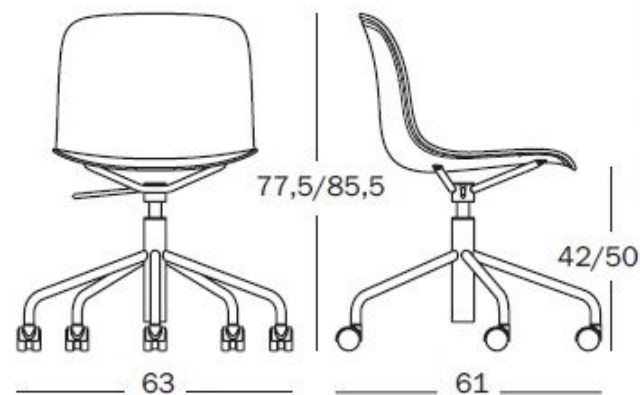


Polycarbonate

Swivel chair on 5 wheels.
Adjustable in height with gas piston. Frame
in steel tube, chromed. Seat in
polycarbonate.
Pattern visible from the reverse of seat.

SD353

Frame - Seat glossy (Reverse of seat transparent):
chromed - white1735 C (clear 2540 TR)



	Kg	10,60	m ³	0,349 (0,7x0,62x0,81)
		7,60		9401.30.00

Test:

ANSI/BIFMA X5.1-2011
Seat and back fatigue test EN 15373:2007, L3
Seat front edge durability test EN 15373:2007, L3
Vertical load on back rest EN 15373:2007, L3

Back impact test EN 15373:2007, L3
Seat and back static load test EN 15373:2007, L3
Seat impact test EN 15373:2007, L3