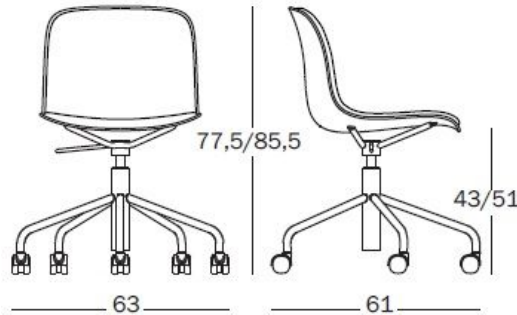


# Troy

design marcel wanders  
2012/2014



The mark of  
responsible forestry

## Plywood (front cover)

Swivel chair on 5 wheels.  
Adjustable in height with gas piston. Frame  
in chromed steel tube. Seat in beech  
plywood.  
Front seat upholstered and covered in fabric  
(Kvadrat).  
\_Expanded polyurethane (crib 5)

**SD4200**

Frame - Seat:  
chromed - natural beech 7010  
chromed - black beech 7065  
Seat:  
A1 - Divina MD pink F-095 (613)  
A2 - Divina MD sky blue F-224 (813)  
A3 - Divina MD green F-356 (943)  
A4 - Divina Melange dark grey F-512 (180)  
B1 - Steelcut Trio light blue F-225 (733)  
B2 - Steelcut Trio green F-357 (933)  
B3 - Steelcut Trio yellow F-578 (453)  
B4 - Steelcut Trio orange F-088 (533)  
C4 - Steelcut 2 black F-767 (190)

Front seat upholstered and covered in  
leather.

**SD4203**

Frame - Seat:  
chromed - natural beech 7010  
chromed - black beech 7065  
Seat:  
L1 - Leather black L-0795

Swivel chair on 5 wheels.  
Adjustable in height with gas piston. Frame  
in steel tube painted in polyester powder.  
Seat in beech plywood.  
Front seat upholstered and covered in fabric  
(Kvadrat).

**SD4202**

Frame - Seat:  
black 5140 - beech stained black 7065  
Seat:  
A1 - Divina MD pink F-095 (613)  
A2 - Divina MD sky blue F-224 (813)  
A3 - Divina MD green F-356 (943)  
A4 - Divina Melange dark grey F-512 (180)  
B1 - Steelcut Trio light blue F-225 (733)  
B2 - Steelcut Trio green F-357 (933)  
B3 - Steelcut Trio yellow F-578 (453)  
B4 - Steelcut Trio orange F-088 (533)  
C4 - Steelcut 2 black F-767 (190)

Front seat upholstered and covered in  
leather.

**SD4204**

Frame - Seat:  
black 5140 - beech stained black 7065  
Seat:  
L1 - Leather black L-0795

1	Kg	11,60	m <sup>3</sup>	0,349 (0,7x0,62x0,81)
		8,60		9401.79.00