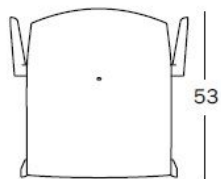
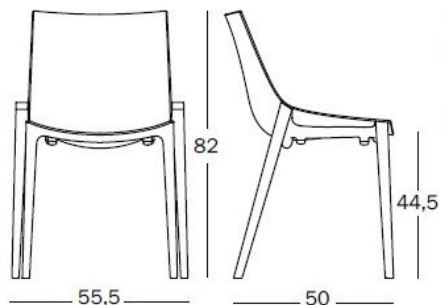


Zartan
design philippe starck
with eugeni quitlet
2012



Basic.
Stacking chair.
Frame and seat in polypropylene with glass fibre added.

! Suitable for outdoor use.

— Felt pads available, with surcharge.

SD1900 KIT.FEL 2,50

SD1900

Matt colours:
orange 1054 C
light green 1327 C
dark grey 1426 C
light grey 1709 C
white 1735 C
black 1768 C

Item packed 2 per carton

	Kg	23,80	m ³	0,439 (0,74x0,56x1,06)		4	
		5,20		9401.80.00			
	Kg	13,40	m ³	0,439 (0,74x0,56x1,06)		4	
		5,20		9401.80.00			

Raw line.
Stacking chair.
Frame and seat in recycled polypropylene and wood fibre.

— Complete with felt pads.

SD1910

*

Matt colour:
brown

Item packed 2 per carton

	Kg	25,00	m ³	0,439 (0,74x0,56x1,06)		4
		5,50		9401.80.00		
	Kg	14,00	m ³	0,439 (0,74x0,56x1,06)		4
		5,50		9401.80.00		

Eco.
Stacking chair.
Frame in recycled polypropylene and natural fibres. Seat in recycled polypropylene and jute or in recycled polypropylene and hemp.

— Complete with felt pads.

SD1920

Frame - Seat:
brown - seat beige (polypropylene and jute)
(**) dark grey - grey (polypropylene and hemp)

Item packed 2 per carton

	Kg	22,00	m ³	0,439 (0,74x0,56x1,06)		4
		4,80		9401.80.00		
	Kg	12,40	m ³	0,439 (0,74x0,56x1,06)		4
		4,80		9401.80.00		

Test:

ANSI/BIFMA X5.1-2011
Back vertical static load test EN 15373:2007, L3
Leg forward static load test EN 15373:2007, L2
Safety requirements EN 15373:2007
Seat and back static load test EN 15373:2007, L3
Seat impact test EN 15373:2007, L3

Back impact test EN 15373:2007, L3
Information for use EN 15373:2007
Leg sideways static load test EN 15373:2007, L2
Seat and back fatigue test EN 15373:2007, L3
Seat front edge fatigue test EN 15373:2007, L3
Stability EN 1022:2005