

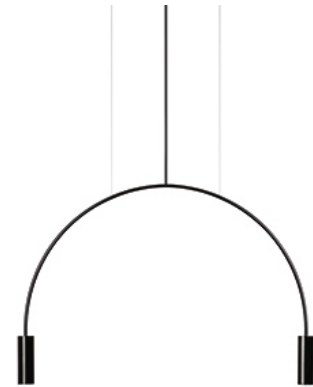
VOLTA T-3535

suspension

Date	Type
Project	
Location	
Model #	Quantity
Specifier	

Description

Suspension lamp with a curved metallic body, cylindrical aluminium heads and acrylic (PMMA) lens diffusers. Adjustable height. Optional 50° angle acrylic optic lens conversion kit.



Pictures above might not show the specified dimensions or material. They are for illustration purposes only.

Ordering information

Code	Lamp
T-3535-W	LED 2x6,1W (2700K / Ang 120° / >80 CRI / 350mA) Universal Voltage (included) Typ* 2x665 lumens A+
T-3535-M	LED 2x6,1W (3000K / Ang 120° / >80 CRI / 350mA) Universal Voltage (included) Typ* 2x703 lumens A+

Canopy	Finish body	Finish head
26 BLK Black	26 BLK Black	26 BLK Black
71 WH White	71 WH White	61 S GLD Satin Gold
		71 WH White
	CUSTOM	CUSTOM

Product includes

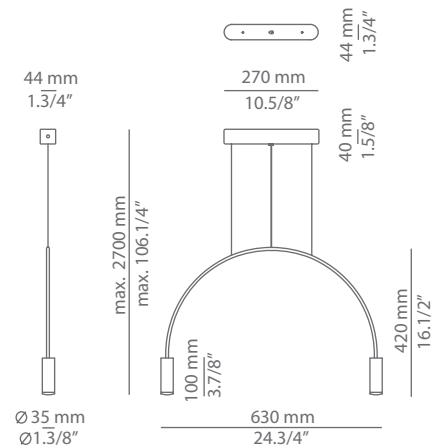
Code	Description
113535XX0	1 canopy for 1 single pedant
T-3535C	1 Volta pendant
671000034	1 driver / Dimmable Triac

SPECIAL REQUIREMENTS

Custom versions

We offer custom plated or RAL finishes. Alternate lamping and sizes available for projects. Consult our offices.

Special instructions



ESTILUZ, S.A.
Carretera d'Ogassa, s/n
17860 Sant Joan de les Abadesses
T+34 972 720 125
F+34 972 720 796

estiluz@estiluz.com
www.estiluz.com

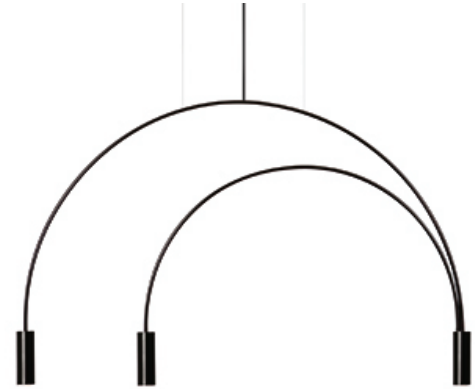
VOLTA T-3536

suspension

Date	Type
Project	
Location	
Model #	Quantity
Specifier	

Description

Suspension lamp with a curved metallic body, cylindrical aluminium heads and acrylic (PMMA) lens diffusers. Adjustable height. Optional 50° angle acrylic lens conversion kit.



Pictures above might not show the specified dimensions or material. They are for illustration purposes only.

Ordering information

Code	Lamp
T-3536-W	LED 3x6,1W (2700K / Ang 120° / >80 CRI / 350mA) Universal Voltage (included) Typ* 3x665 lumens A++
T-3536-M	LED 3x6,1W (3000K / Ang 120° / >80 CRI / 350mA) Universal Voltage (included) Typ* 3x703 lumens A++

Canopy	Finish body	Finish head
26 BLK Black	26 BLK Black	26 BLK Black
71 WH White	71 WH White	61 S GLD Satin Gold
	CUSTOM	71 WH White
		CUSTOM

Product includes

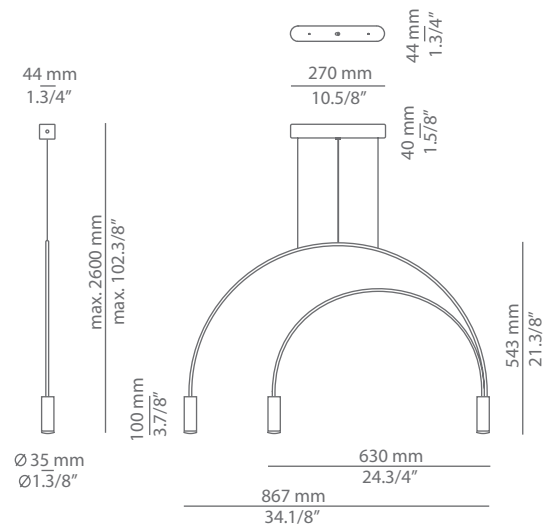
Code	Description
113535XX0	1 canopy for 1 single pendant
T-3536C	1 Volta pendant
671000034	1 driver / Dimmable Triac

SPECIAL REQUIREMENTS

Custom versions

We offer custom plated or RAL finishes. Alternate lamping and sizes available for projects. Consult our offices.

Special instructions



VOLTA T-3535C / T-3536C

suspension

Date	Type
Project	
Location	
Model #	Quantity
Specifier	

Ordering information

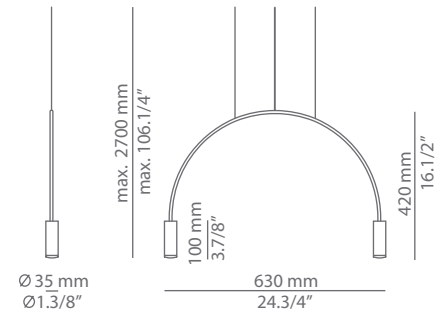
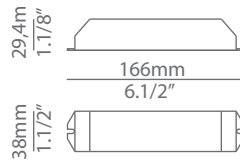
Code	Lamp
T-3535C-W	LED 2x6,1W (2700K / Ang 120° / >80 CRI / 350mA) Universal Voltage (included) Typ* 2x665 lumens A++
T-3535C-M	LED 2x6,1W (3000K / Ang 120° / >80 CRI / 350mA) Universal Voltage (included) Typ* 2x703 lumens A++

Finish body	
26 BLK	Black
71 WH	White
CUSTOM	

Finish head	
26 BLK	Black
61 S GLD	Satin Gold
71 WH	White
CUSTOM	

Product includes

Code	Description
T-3535C	1 Volta pendant
671000034	1 Driver / 20W / 230V (Min. 2x6,1W - Max. 3x6,1W) Dimmable Triac



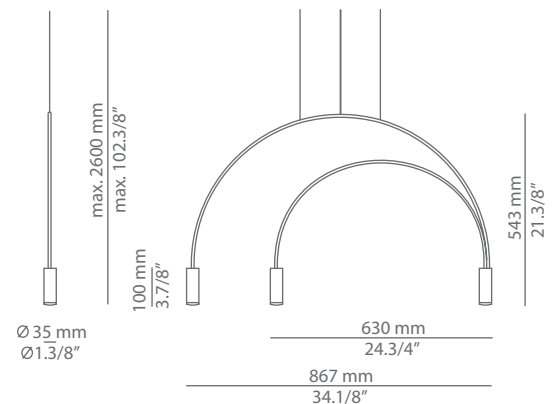
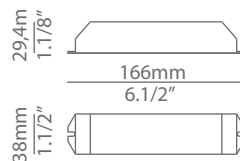
Code	Lamp
T-3536C-W	LED 3x6,1W (2700K / Ang 120° / >80 CRI / 350mA) Universal Voltage (included) Typ* 3x665 lumens A++
T-3536C-M	LED 3x6,1W (3000K / Ang 120° / >80 CRI / 350mA) Universal Voltage (included) Typ* 3x703 lumens A++

Finish body	
26 BLK	Black
71 WH	White
CUSTOM	

Finish head	
26 BLK	Black
61 S GLD	Satin Gold
71 WH	White
CUSTOM	

Product includes

Code	Description
T-3536C	1 Volta pendant
671000034	1 Driver / 20W / 230V (Min. 2x6,1W - Max. 3x6,1W) Dimmable Triac



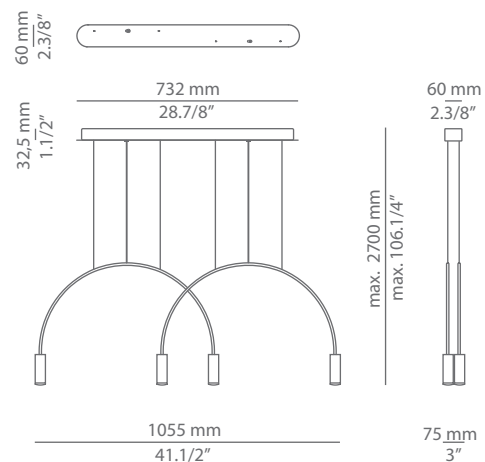
VOLTA T-3535C / T-3536C

suspension

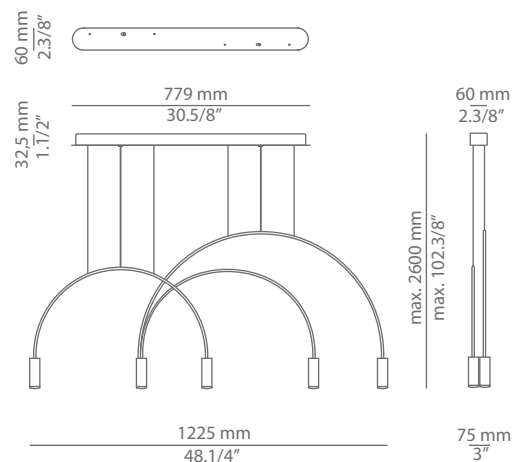
Date	Type
Project	
Location	
Model #	Quantity
Specifier	

Many possible configurations with T-3535C and T-3536C

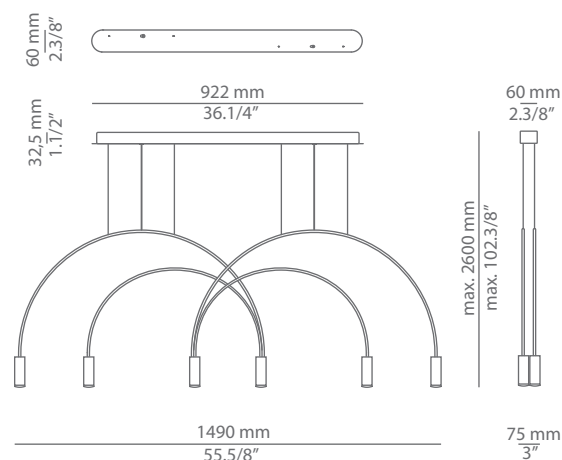
Code	Composition includes	Temperature																														
L73.2D	<ul style="list-style-type: none"> 1 linear canopy 113535XX1 2 units of T-3535C 2 drivers / Dimmable Triac 	<ul style="list-style-type: none"> T-3535C-W (2700K / 665 lumens) T-3535C-M (3000K / 703 lumens) 																														
	<table border="1"> <thead> <tr> <th colspan="2">Canopy</th> <th colspan="2">Body</th> <th colspan="2">Head</th> </tr> </thead> <tbody> <tr> <td>26 BLK</td> <td>Black</td> <td>26 BLK</td> <td>Black</td> <td>26 BLK</td> <td>Black</td> </tr> <tr> <td>71 WH</td> <td>White</td> <td>71 WH</td> <td>White</td> <td>61 S GLD</td> <td>Satin Gold</td> </tr> <tr> <td></td> <td></td> <td>CUSTOM</td> <td></td> <td>71 WH</td> <td>White</td> </tr> <tr> <td></td> <td></td> <td></td> <td></td> <td>CUSTOM</td> <td></td> </tr> </tbody> </table>	Canopy		Body		Head		26 BLK	Black	26 BLK	Black	26 BLK	Black	71 WH	White	71 WH	White	61 S GLD	Satin Gold			CUSTOM		71 WH	White					CUSTOM		
Canopy		Body		Head																												
26 BLK	Black	26 BLK	Black	26 BLK	Black																											
71 WH	White	71 WH	White	61 S GLD	Satin Gold																											
		CUSTOM		71 WH	White																											
				CUSTOM																												



Code	Composition includes	Temperature																														
L78.1D1T	<ul style="list-style-type: none"> 1 linear canopy 113535XX2 1 unit of T-3535C 1 unit of T-3536C 2 drivers / Dimmable Triac 	<ul style="list-style-type: none"> T-3535C-W / T-3536C-W (2700K / 665 lumens) T-3535C-M / T-3536C-M (3000K / 703 lumens) 																														
	<table border="1"> <thead> <tr> <th colspan="2">Canopy</th> <th colspan="2">Body</th> <th colspan="2">Head</th> </tr> </thead> <tbody> <tr> <td>26 BLK</td> <td>Black</td> <td>26 BLK</td> <td>Black</td> <td>26 BLK</td> <td>Black</td> </tr> <tr> <td>71 WH</td> <td>White</td> <td>71 WH</td> <td>White</td> <td>61 S GLD</td> <td>Satin Gold</td> </tr> <tr> <td></td> <td></td> <td>CUSTOM</td> <td></td> <td>71 WH</td> <td>White</td> </tr> <tr> <td></td> <td></td> <td></td> <td></td> <td>CUSTOM</td> <td></td> </tr> </tbody> </table>	Canopy		Body		Head		26 BLK	Black	26 BLK	Black	26 BLK	Black	71 WH	White	71 WH	White	61 S GLD	Satin Gold			CUSTOM		71 WH	White					CUSTOM		
Canopy		Body		Head																												
26 BLK	Black	26 BLK	Black	26 BLK	Black																											
71 WH	White	71 WH	White	61 S GLD	Satin Gold																											
		CUSTOM		71 WH	White																											
				CUSTOM																												



Code	Composition includes	Temperature																														
L92.2T	<ul style="list-style-type: none"> 1 linear canopy 113535XX3 2 units of T-3536C 2 drivers / Dimmable Triac 	<ul style="list-style-type: none"> T-3536C-W (2700K / 665 lumens) T-3536C-M (3000K / 703 lumens) 																														
	<table border="1"> <thead> <tr> <th colspan="2">Canopy</th> <th colspan="2">Body</th> <th colspan="2">Head</th> </tr> </thead> <tbody> <tr> <td>26 BLK</td> <td>Black</td> <td>26 BLK</td> <td>Black</td> <td>26 BLK</td> <td>Black</td> </tr> <tr> <td>71 WH</td> <td>White</td> <td>71 WH</td> <td>White</td> <td>61 S GLD</td> <td>Satin Gold</td> </tr> <tr> <td></td> <td></td> <td>CUSTOM</td> <td></td> <td>71 WH</td> <td>White</td> </tr> <tr> <td></td> <td></td> <td></td> <td></td> <td>CUSTOM</td> <td></td> </tr> </tbody> </table>	Canopy		Body		Head		26 BLK	Black	26 BLK	Black	26 BLK	Black	71 WH	White	71 WH	White	61 S GLD	Satin Gold			CUSTOM		71 WH	White					CUSTOM		
Canopy		Body		Head																												
26 BLK	Black	26 BLK	Black	26 BLK	Black																											
71 WH	White	71 WH	White	61 S GLD	Satin Gold																											
		CUSTOM		71 WH	White																											
				CUSTOM																												

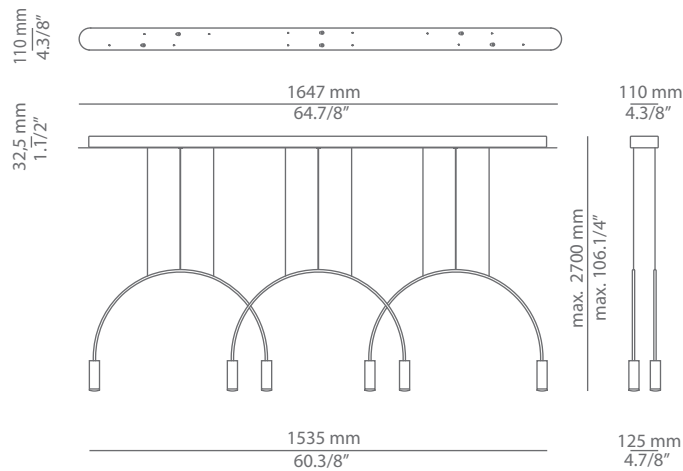


VOLTA T-3535C / T-3536C

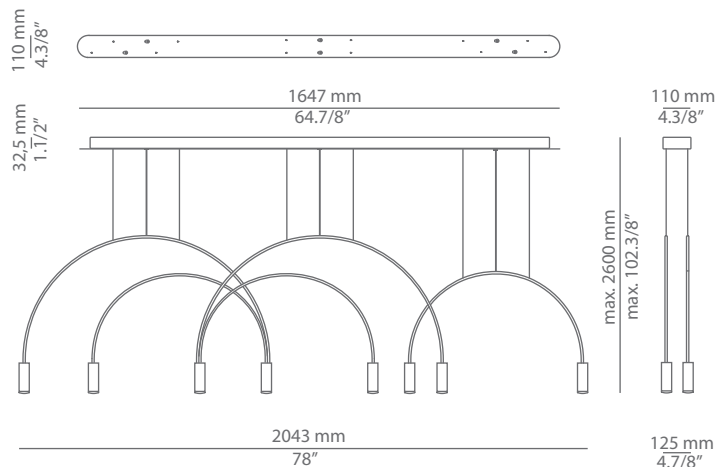
suspension

Date	Type
Project	
Location	
Model #	Quantity
Specifier	

Code	Composition includes	Temperature	Canopy	Body	Head
L165.3D	<ul style="list-style-type: none"> 1 linear canopy 113535XX7 3 units of T-3535C 3 drivers / Dimmable Triac 	<ul style="list-style-type: none"> T-3535C-W (2700K / 665 lumens) T-3535C-M (3000K / 703 lumens) 	<ul style="list-style-type: none"> 26 BLK Black 71 WH White 	<ul style="list-style-type: none"> 26 BLK Black 71 WH White CUSTOM 	<ul style="list-style-type: none"> 26 BLK Black 61 S GLD Satin Gold 71 WH White CUSTOM



Code	Composition includes	Temperature	Canopy	Body	Head
L165.1D2T	<ul style="list-style-type: none"> 1 linear canopy 113535XX7 1 unit of T-3535C 2 units of T-3536C 3 drivers / Dimmable Triac 	<ul style="list-style-type: none"> T-3535C-W / T-3536C-W (2700K / 665 lumens) T-3535C-M / T-3536C-M (3000K / 703 lumens) 	<ul style="list-style-type: none"> 26 BLK Black 71 WH White 	<ul style="list-style-type: none"> 26 BLK Black 71 WH White CUSTOM 	<ul style="list-style-type: none"> 26 BLK Black 61 S GLD Satin Gold 71 WH White CUSTOM



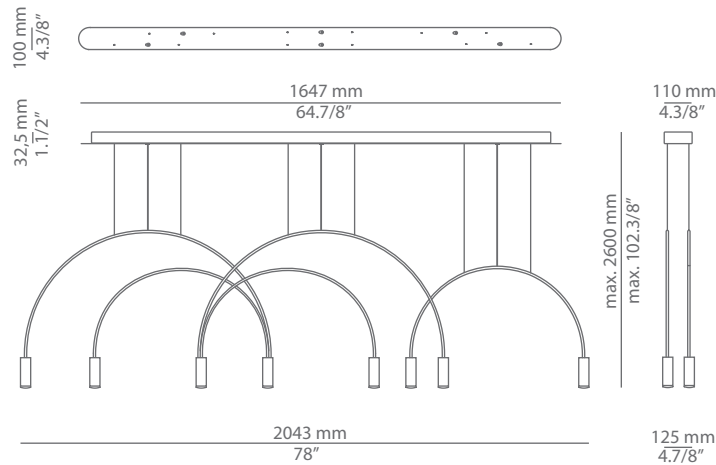
VOLTA T-3535C / T-3536C

suspension

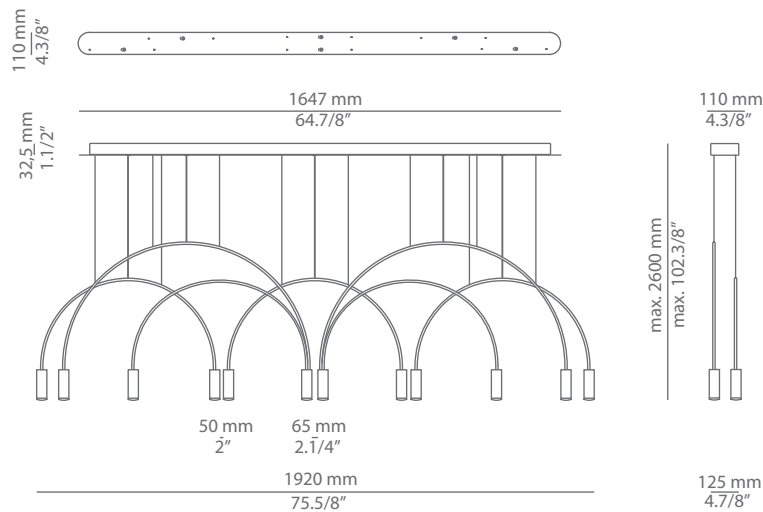
Date	Type
Project	
Location	
Model #	Quantity
Specifier	

Ordering information

Code	Composition includes	Temperature	Canopy	Body	Head
L165.1D2T	<ul style="list-style-type: none"> 1 linear canopy 113535XX7 1 unit of T-3535C 2 units of T-3536C 3 drivers / Dimmable Triac 	<ul style="list-style-type: none"> T-3535C-W / T-3536C-W (2700K / 665 lumens) T-3535C-M / T-3536C-M (3000K / 703 lumens) 	<ul style="list-style-type: none"> 26 BLK Black 71 WH White 	<ul style="list-style-type: none"> 26 BLK Black 71 WH White CUSTOM 	<ul style="list-style-type: none"> 26 BLK Black 61 S GLD Satin Gold 71 WH White CUSTOM



Code	Composition includes	Temperature	Canopy	Body	Head
L165.3D2T	<ul style="list-style-type: none"> 1 linear canopy 113535XX7 3 units of T-3535C 2 units of T-3536C 5 drivers / Dimmable Triac 	<ul style="list-style-type: none"> T-3535C-W / T-3536C-W (2700K / 665 lumens) T-3535C-M / T-3536C-M (3000K / 703 lumens) 	<ul style="list-style-type: none"> 26 BLK Black 71 WH White 	<ul style="list-style-type: none"> 26 BLK Black 71 WH White CUSTOM 	<ul style="list-style-type: none"> 26 BLK Black 61 S GLD Satin Gold 71 WH White CUSTOM

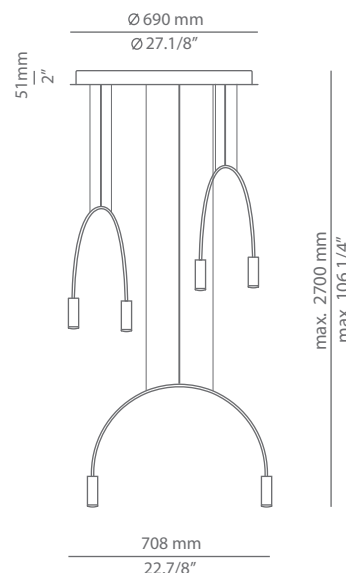


VOLTA T-3535C

suspension

Date	Type
Project	
Location	
Model #	Quantity
Specifier	

Code	Composition includes	Temperature															
■ R70.3D	<ul style="list-style-type: none"> ■ 1 round canopy 113535XX4 ■ 3 units of T-3535C ■ 3 drivers / Dimmable Triac 	<ul style="list-style-type: none"> ■ T-3535C-W (2700K / 665 lumens) ■ T-3535C-M (3000K / 703 lumens) 															
	<table border="1"> <thead> <tr> <th>Canopy</th> <th>Body</th> <th>Head</th> </tr> </thead> <tbody> <tr> <td>■ 26 BLK Black</td> <td>■ 26 BLK Black</td> <td>■ 26 BLK Black</td> </tr> <tr> <td>■ 71 WH White</td> <td></td> <td>■ 61 S GLD Satin Gold</td> </tr> <tr> <td></td> <td>■ 71 WH White</td> <td>■ 71 WH White</td> </tr> <tr> <td></td> <td>■ CUSTOM</td> <td>■ CUSTOM</td> </tr> </tbody> </table>	Canopy	Body	Head	■ 26 BLK Black	■ 26 BLK Black	■ 26 BLK Black	■ 71 WH White		■ 61 S GLD Satin Gold		■ 71 WH White	■ 71 WH White		■ CUSTOM	■ CUSTOM	
Canopy	Body	Head															
■ 26 BLK Black	■ 26 BLK Black	■ 26 BLK Black															
■ 71 WH White		■ 61 S GLD Satin Gold															
	■ 71 WH White	■ 71 WH White															
	■ CUSTOM	■ CUSTOM															



Code	Composition includes	Temperature															
■ R100.5D	<ul style="list-style-type: none"> ■ 1 round canopy 113535XX5 ■ 5 units of T-3535C ■ 5 drivers / Dimmable Triac 	<ul style="list-style-type: none"> ■ T-3535C-W (2700K / 665 lumens) ■ T-3535C-M (3000K / 703 lumens) 															
	<table border="1"> <thead> <tr> <th>Canopy</th> <th>Body</th> <th>Head</th> </tr> </thead> <tbody> <tr> <td>■ 26 BLK Black</td> <td>■ 26 BLK Black</td> <td>■ 26 BLK Black</td> </tr> <tr> <td>■ 71 WH White</td> <td></td> <td>■ 61 S GLD Satin Gold</td> </tr> <tr> <td></td> <td>■ 71 WH White</td> <td>■ 71 WH White</td> </tr> <tr> <td></td> <td>■ CUSTOM</td> <td>■ CUSTOM</td> </tr> </tbody> </table>	Canopy	Body	Head	■ 26 BLK Black	■ 26 BLK Black	■ 26 BLK Black	■ 71 WH White		■ 61 S GLD Satin Gold		■ 71 WH White	■ 71 WH White		■ CUSTOM	■ CUSTOM	
Canopy	Body	Head															
■ 26 BLK Black	■ 26 BLK Black	■ 26 BLK Black															
■ 71 WH White		■ 61 S GLD Satin Gold															
	■ 71 WH White	■ 71 WH White															
	■ CUSTOM	■ CUSTOM															

