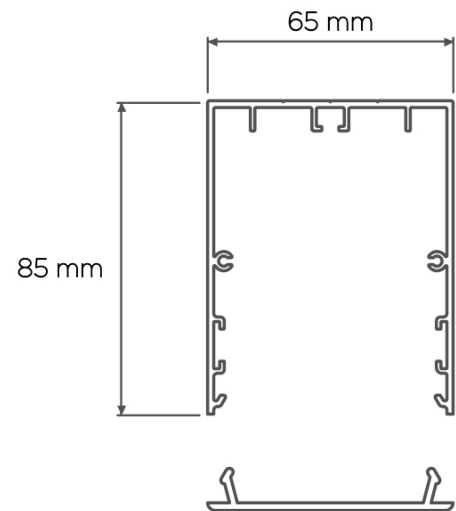


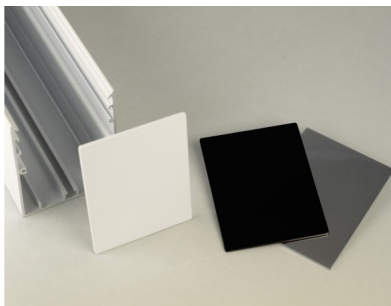
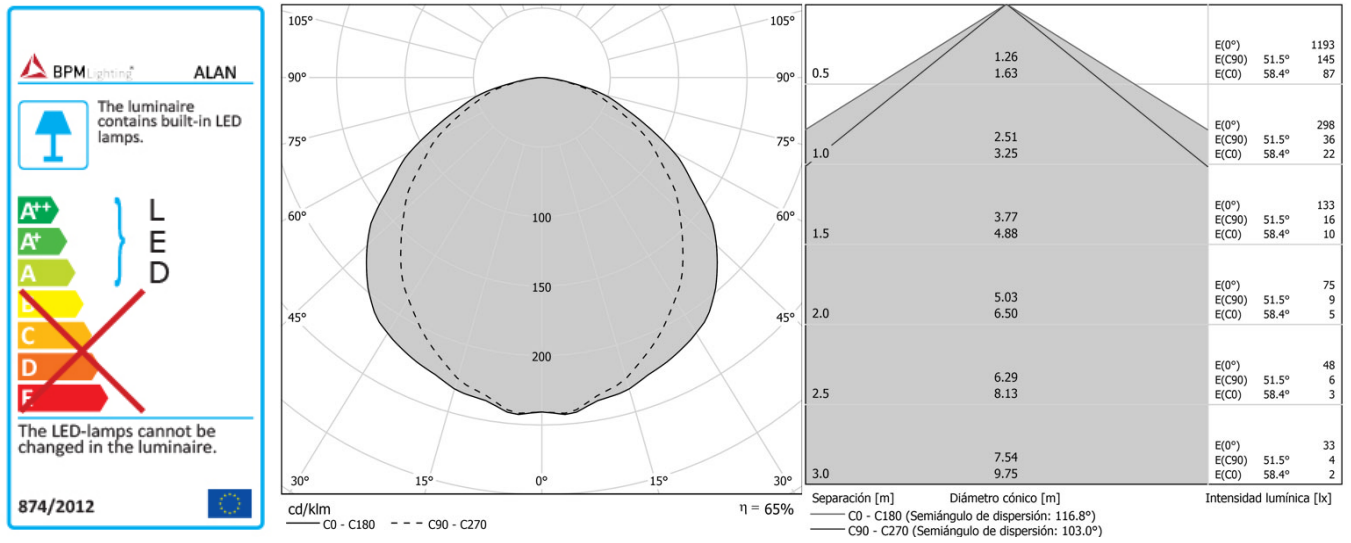
[LED MODULES](#)

Name	ALAN
Reference	10178.SR.W.MP
Optic Cover	Microprismatic
Finish	White



Life time	50.000h
Led working constant current	350 mA
CRI	80
Utilization	Indoor use only
Equipment	Included
Installation	Surface
Light direction	Fixed
Protection class	Class I
Min. Distance	0.5 m
Energy efficiency	A++
Efficiency 3000K	132 lm/W
High	85 mm
Efficiency 4000K	136 lm/W
Ingress Protection Rating	IP43
Width	

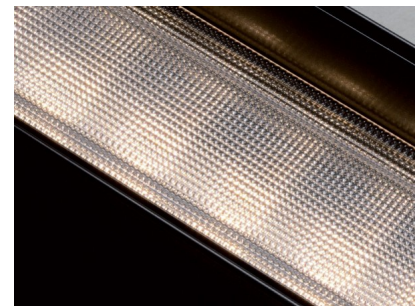




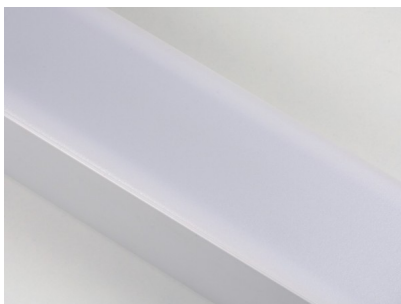
Kit Tapas



Led Tridonic



Microprismatic



Opal



Ice



Suspension cable