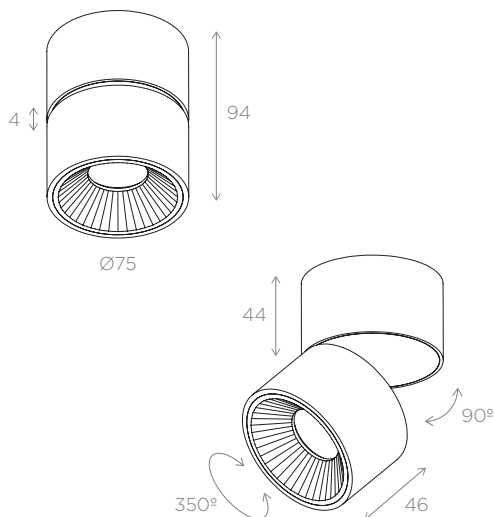
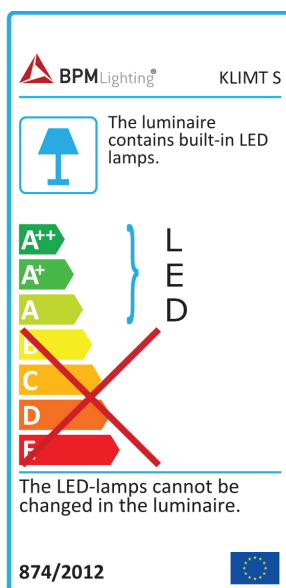




MEASURES



ENERGY LABEL



GENERAL DETAILS

| | |
|-------------------|----------------------------------|
| REFERENCE: | 20134.SR |
| INSTALLATION: | Surface |
| EXTERNAL FINISH: | White · Black |
| INTERNAL FINISH: | White · Black · Gold |
| MATERIAL: | Aluminium |
| IP DEGREE: | IP32 |
| FORM: | Round |
| LIGHT DIRECTION: | Orientable |
| TILTING DEGREES: | 90° |
| ROTATION DEGREES: | 350° |
| REFLECTOR: | 15° · 24° · 38° |
| REGULABLE: | 1..10V · Push · DALI · Phase cut |
| UTILIZATION: | Indoor |
| WARRANTY: | 2 years |

GENERAL DIMENSIONS

| | |
|---|-------|
| MINIMUM DISTANCE TO ILLUMINATED OBJECT: | 0.5 m |
|---|-------|

ELECTRICAL DETAILS

| | |
|-----------------------|----------------------------|
| LAMP: | LED |
| LED TYPE: | Cree |
| PROTECTION CLASS: | ⊕ |
| WATTS: | 7 W |
| EFFICIENCY 2700K: | 96 lm/W |
| EFFICIENCY 3000K: | 102 lm/W |
| EFFICIENCY 4000K: | 106 lm/W |
| 2700K lm: | 674 lm |
| 3000K lm: | 716 lm |
| 4000K lm: | 745 lm |
| ENERGETIC EFFICIENCY: | A+ |
| DRIVER: | Included / Dimmable remote |
| mA: | 200 mA |
| VOLTAGE: | 220 - 240V |
| LIFE TIME: | 35.000 h |
| CRI: | ≥ 80 |

