



LUK CRUSADER

PRODUCT SHEET



REF. 20082

FEATURES

IP: 23

Installation: Surface

High (close): 122 mm

High (open): 172 mm

Light Direction: Orientable

Minimum distance to lightened objects: 0.5 m

Lamps : LED

Protection class: Class II

LED MODULES

Power: 30W

Efficiency 3K: 90 lm/W

Efficiency 4K: 97,5 lm/W

Energy efficiency : A+

Driver: Included

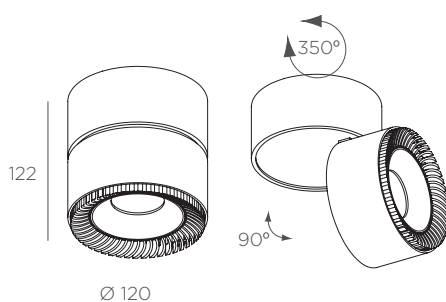
Life time: 50.000h

LED working constant current: 900mA

Color rendering current: CRI ≥80

LED Guarantee: 5 years

MEASURES



FINISH



REFLECTOR



DIMMABLE OPTIONS*



* Max. 20W
Phase Cut - 500mA
1.10V / Push / DALI - 550 mA



Date: _____

Company: _____

Project: _____

Quantity: _____

Features: _____



Partida Madrigueres Sud 11
03700 DENIA (Alicante) SPAIN
TEL.0034-965 781 218

www.bpmlighting.com