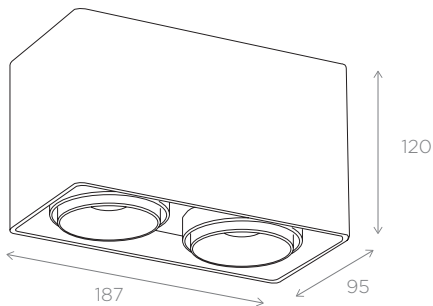
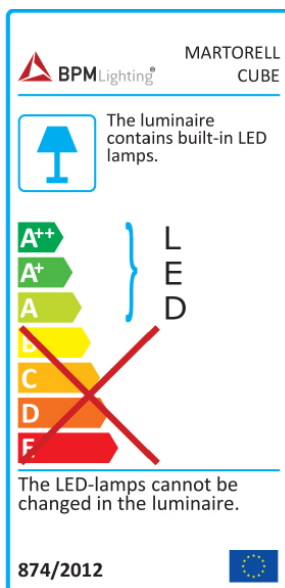




MEASURES



ENERGY LABEL



GENERAL DETAILS

REFERENCE:	20133
INSTALLATION:	Surface
EXTERNAL FINISH:	White · Black
INTERNAL FINISH:	White · Black · Anodized grey · Gold · Blue · Aqua · Red · Flamingo · Green · Orange · Pink
MATERIAL:	Aluminium
IP DEGREE:	IP32
FORM:	Square
LIGHT DIRECTION:	Orientable
TILTING DEGREES:	25°
ROTATION DEGREES:	350°
REFLECTOR:	25° · 38° · 60°
REGULATION:	1..10V · Push · DALI
UTILIZATION:	Indoor
WARRANTY:	2 years

GENERAL DIMENSIONS

MINIMUM DISTANCE TO ILLUMINATED OBJECT:	0.5 m
---	-------

ELECTRICAL DETAILS

LAMP:	LED
LED TYPE:	Cree
PROTECTION CLASS:	⊕
WATTS:	2x12 W
EFFICIENCY 2700K:	81 lm/W
EFFICIENCY 3000K:	92 lm/W
EFFICIENCY 4000K:	101 lm/W
2700K lm:	1940 lm
3000K lm:	2200 lm
4000K lm:	2424 lm
ENERGETIC EFFICIENCY:	A+
DRIVER:	Included / Dimmable remote
mA:	600 mA
VOLTAGE:	230V
LIFE TIME:	35.000 h
CRI:	≥ 90

