



TUBE

PRODUCT SHEET



REF. 9051

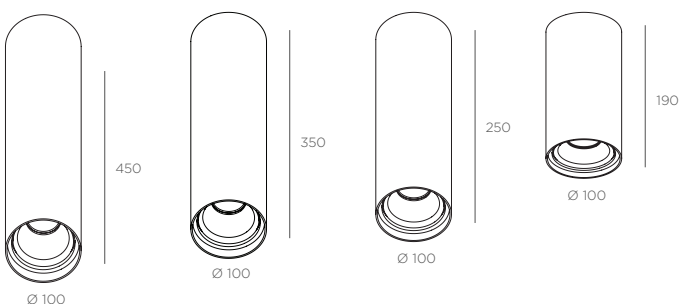
FEATURES

- IP: 23
- Installation: Surface
- Light Direction: Tilting and rotation
- Minimum distance to lightened objects: 0.5 m
- Lamps : LED
- Protection class: Class II

LED

- Power: 9,3 W
- Efficiency 3K: 105 lm/W
- Efficiency 4K: 111 lm/W
- Driver: Included
- Life time: 50.000h
- LED working constant current: 350mA
- Color rendering current: CRI ≥80
- LED Guarantee: 5 years

MEASURES



FINISH

BLACK RAL 9011	WHITE RAL 9016
--------------------------	--------------------------

CENTRAL FINISH

BLACK RAL 9011	WHITE RAL 9016	GOLD RAL 1036	ORANGE RAL 2004	BLUE RAL 5022
AQUA RAL 5021	GREEN RAL 6018	RED RAL 3000	FLAMINGO RAL 3018	PINK RAL 3014

REFLECTOR

- 40°
- 60°

DIMMABLE OPTIONS

- 1.10V
- PUSH
- DALI
- PHASE CUT





Date: _____

Company: _____

Project: _____

Quantity: _____

Features: _____



Partida Madrigueres Sud 11
03700 DENIA (Alicante) SPAIN
TEL.0034-965 781 218

www.bpmlighting.com