

RYO S172 | Tilting stool

Enzo Berti | 2017



RYO

Enzo Berti | 2017

It slightly tilts. And leaving the body free to lean or stand, RYO goes beyond its identity and becomes magical. Inspired by objects of African tribal culture, this stool transforms a break into a moment of extreme wellbeing. Its solid wood seat, smooth and attractive to the touch, is a sculpture that embraces from all sides. The column is height-adjustable and ends with a small tilting base. The entire collection, also in a wall version, extends and lightens the concept of relaxation. Wherever you are, waiting means staying in motion.



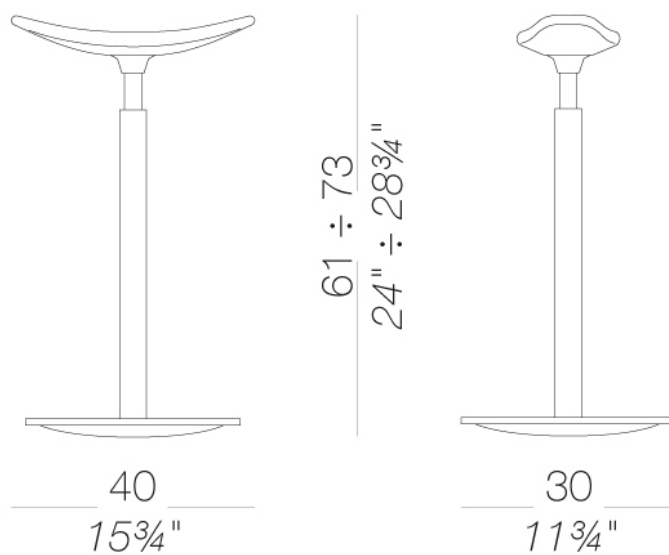
RYO

Enzo Berti | 2017

S172 | Tilting stool height-adjustable H61÷73

RYO | S172 S173 S174

Height adjustable seating aid, with tilting metal base and column powder coated black or white. Seat in solid ashwood or black stained open pore. The button to activate the gas-spring is integrated under the seat. Also available for wall fixing or with normal base.



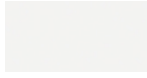
RYO S172 | Tilting stool

Enzo Berti | 2017

frame



powder coating
black
1 Colors

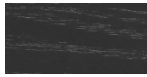


powder coating
white
1 Colors

seat



wood
natural ash
1 Colors



wood
black open pore
1 Colors

consult the portfolio for the range of colors, fabrics, eco-leather, soft-leather.

use and maintenance instructions

Clean all parts in wood, leather, fabric and metal with a damp cloth or a diluted neutral cleaner. Do not use cleaners with alcohol, bleach, solvent or abrasive products. Any liquid spilt on the product must be wiped up immediately. When lifting or moving the product, hold it on the structure and not under the seat. The product should not be subjected to unbalanced weights, as it is designed for a proper rest on the foothold (on four legs or on the base). Our company relieves from any responsibility in case of damage caused to fragile floors. Avoid any improper use of the product: do not step on the product, on the footrest or on the armrests. Avoid any movements that could compromise the proper functionality of the product or the safety of the users. Wood and leather, being natural materials, could be easily damaged. Small impurities or imperfections are within quality standard range. Do not expose the product to weather conditions or atmospheric agents, nor to heat sources over 40°C. Also products for outdoor use could be afflicted by atmospheric agents. The product could undergo possible exterior changes due to particular exposure to heat, humidity and saltiness. An appropriate and frequent maintenance and cleaning of the product enhances its durability. The product could change colour and shade, if exposed to direct sunlight. Maintenance has to be carried out by experienced staff. Dispose of the package only after assembling the product, in order to avoid the loss of ironmongery and components. Once the product has been dismantled, the product itself or its components must be given to the public garbage disposal system, according to the legislation in force.