

SHOWER

Z94250

Soffione a parete con 2 bracci orientabili. / Wall mounted shower head with 2 adjustable arms.



Soffione a parete con 2 bracci orientabili, snodo centrale, contrappeso e giunto snodato all'attacco del soffione.
Portata minima richiesta: 8 lt/min.

Wall mounted shower head with 2 adjustable arms, central junction, counterweight and floating joint at the base of the shower head.

Minimum flowrate requested : 8 lt. / min.

Finiture / Finishes



Cromo / Chrome



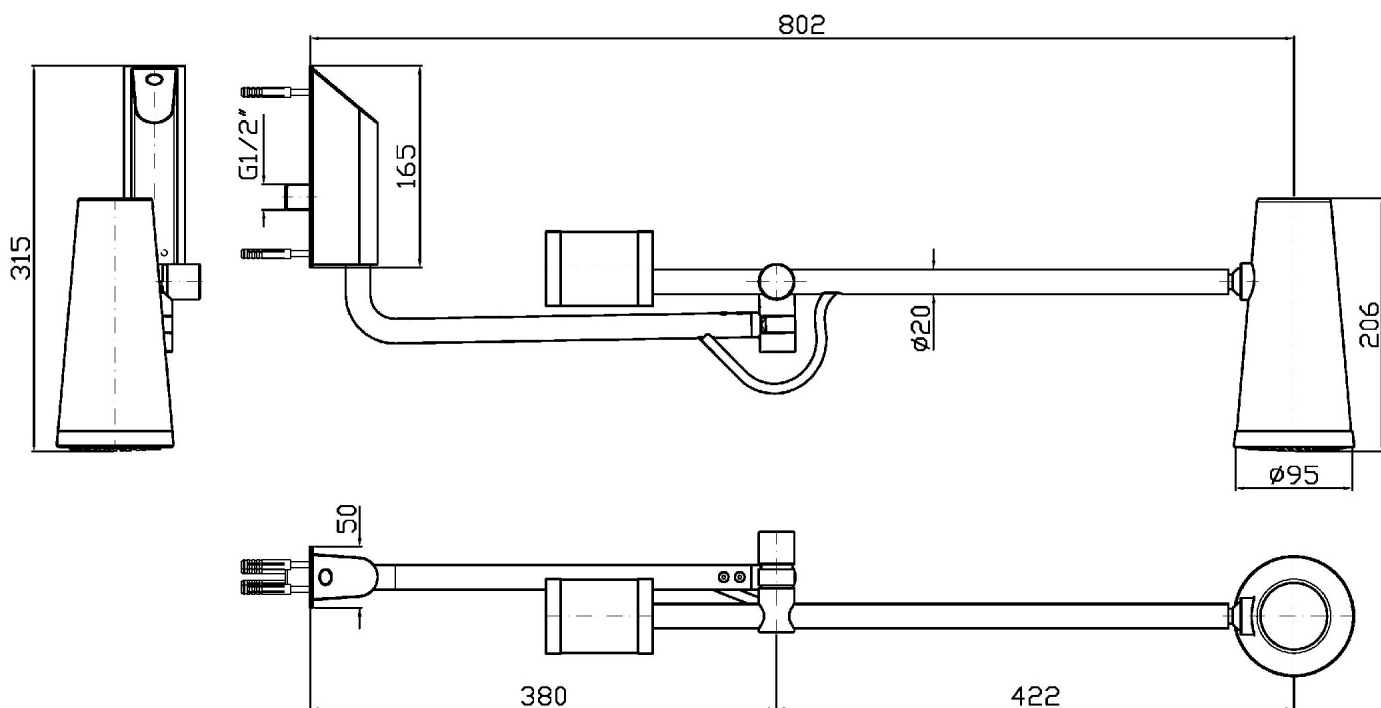
N7

Nero Soft Touch / Soft
Touch Black

SHOWER

Z94250

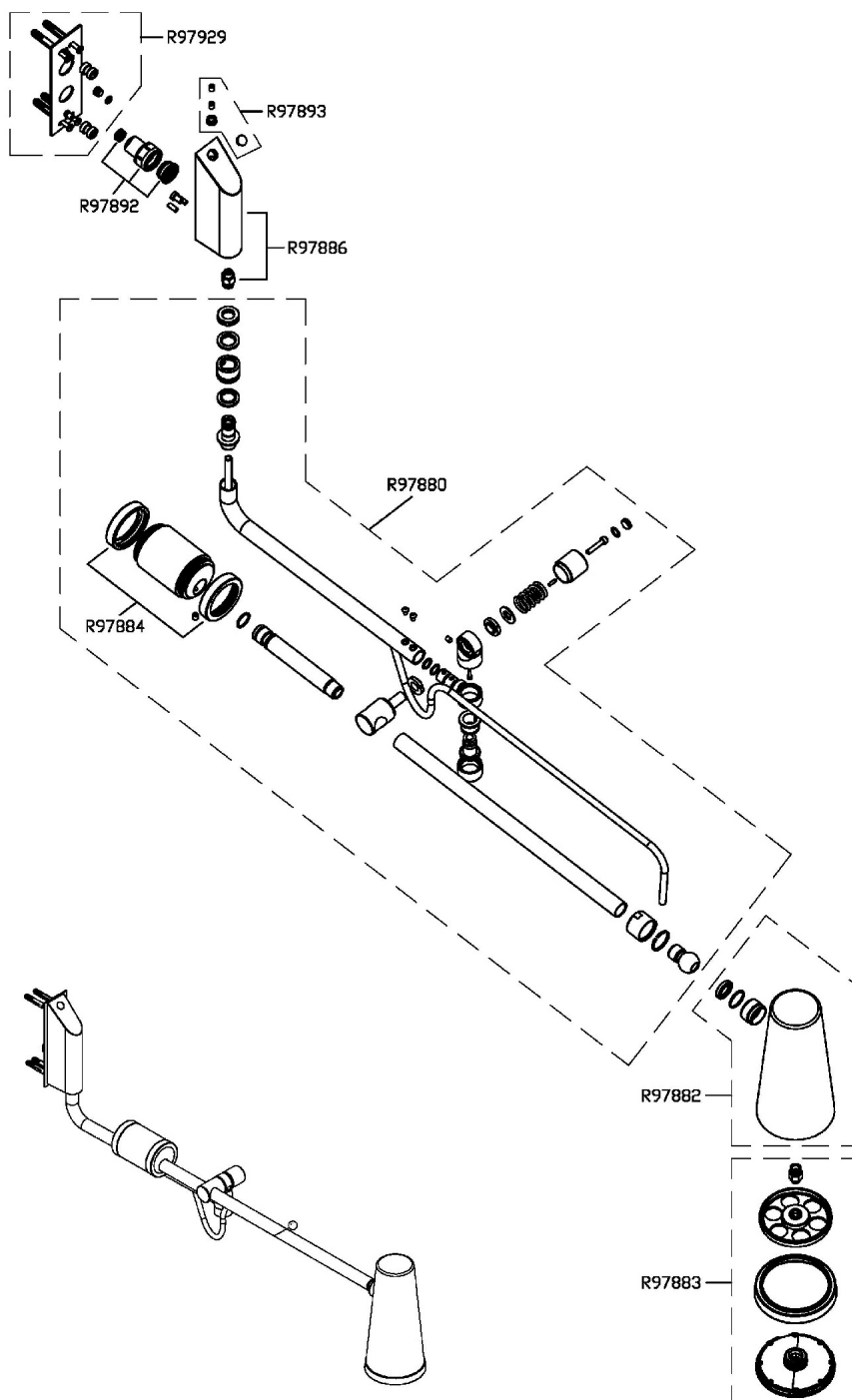
Disegno Complessivo / Overall Drawing



SHOWER

Z94250

Esplosi / Exploded



SHOWER

Z94250

Certificazioni / Certifications

AUSTRALIA

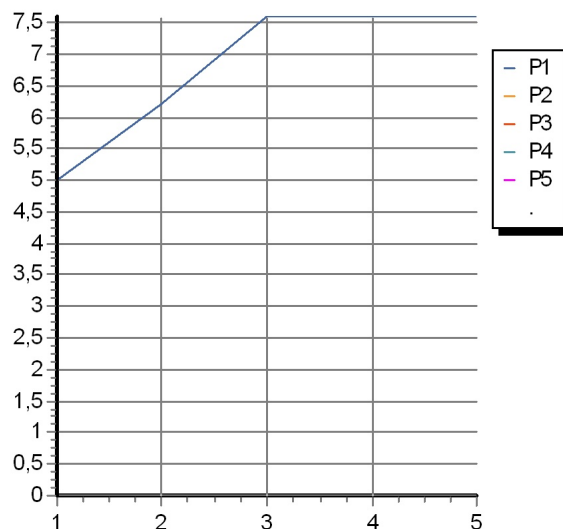
IAPMO OCEANA

SHOWER

Z94250

Portate / Flowrates (lt/min)

PRESSIONE PRESSURE	1 BAR	2 BAR	3 BAR	4 BAR	5 BAR
<i>P1</i> SOFFIONE SOFFIONE	5	6,2	7,6	7,6	7,6
<i>P2</i>					
<i>P3</i>					
<i>P4</i>					
<i>P5</i>					



SHOWER

Z94250

Pesi e Misure / Weights and Sizes

Peso (Kg) Weight (lb)	7,5 (Kg)	16,5345 (lb)
Volume (dc3) - (in3)	41,77 (dc3)	0,002549 (in3)
h (mm) - (in)	110 (mm)	4,330711 (in)
L1 (mm) - (in)	415 (mm)	16,3385915 (in)
L2 (mm) - (in)	915 (mm)	36,0236415 (in)

