

m o o o i

Long Light

MARCEL WANDERS



A classic lamp from the Moooi lighting collection both versatile and charismatic in form and function.

Detailing

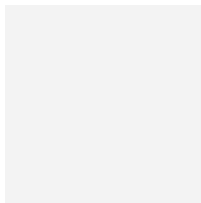


A long shape that's easy to install and easy to combine.

Colours



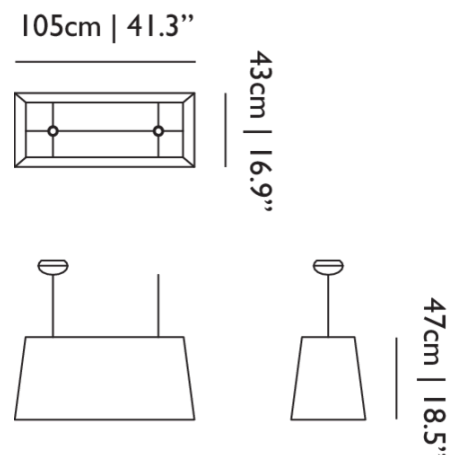
Black



White

Long Light

Dimensions



Product

WIDTH 105cm | 41.3"
HEIGHT 47cm | 18.5"
DEPTH 43cm | 16.9"
WEIGHT NETTO 2.5kg | 5.51lbs

Packaging

WIDTH 108.5cm | 42.7"
HEIGHT 60cm | 23.6"
CUBAGE 0.29m³ | 10.35ft³
LENGTH 45cm | 17.7"
WEIGHT 8cm | 17.64lbs

Technical CE

MATERIAL

Chromed steel pendant, PVC/viscose laminate shade on metal frame,

ENERGY LABEL

A++ to E

LIGHTSOURCE TYPE

Incandescent

SHAPE

Rectangular

FREQUENCY

50

DIMMABLE

Yes

COLOUR

Black

CANOPY

Pebble II Black, ABS

INSTALLATION REQUIRED

Yes

NUMBER OF LIGHTSOURCES

2

INPUT VOLTAGE

220-240

MAX POWER CONSUMPTION

60W

LAMPHOLDER

E27

CABLE LENGTH

400cm | 157.5"

LIGHT DIRECTION

All directions

Technical cULus

MATERIAL

Chromed steel pendant, PVC/viscose laminate shade on metal frame,

ENERGY LABEL

A++ to E

LIGHTSOURCE TYPE

Incandescent

INSTALLATION REQUIRED

Yes

NUMBER OF LIGHTSOURCES

2

SHAPE

Rectangular

FREQUENCY

60

DIMMABLE

Yes

COLOUR

Black

CANOPY

Chrome Canopy

INPUT VOLTAGE

110-127

MAX POWER CONSUMPTION

100W

LAMPHOLDER

E26

CABLE LENGTH

400cm | 157.5"

LIGHT DIRECTION

All directions

Dimmer

For fluent dimming behaviour we advise a dimmer that is compatible with the following specs.

Please note the functioning of the dimmer and the power supply combination can never be predicted, it always needs to be tested in practice.

DIMMER TYPE

Mains dimmable with compatible light source