



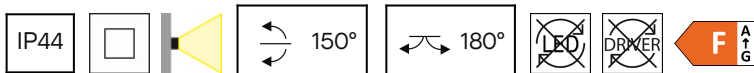
Vanity

Nahtrang Design

Bathroom Wall Light Bathroom Mirror IP44 Vanity LED 9W 3000K 256lm. Mirror Magnification x3

Technical features

- Luminaire total power: 10.5W
- Real lumens: 256
- Real lm/W: 24
- Correlated Colour Temperature (CCT): LED warm-white 3000K
- Lens / reflector angle: HORIZONTAL 145°
- UGR: <=22
- Structure material: Aluminium
- Structure finish: Black
- Diffuser material: Plastic
- Diffuser finish: Sandblasted
- Driver Brand: HEP
- Voltage / frequency: 100-240V/50-60Hz
- Dimming protocol: TOUCH DIMMING
- Power Factor: 0.50
- Useful life: 50,000h L80B20
- Warranty: 5 años



Luminotechnic features

- TM30 RG: 97
- TM30 RF: 91
- Melanopic ratio: 0.571
- CRI: 90
- MacAdam steps: 3
- Photobiological risk: RGO

Lampholder	Quantity	Light source power (W)
LED	1	9W

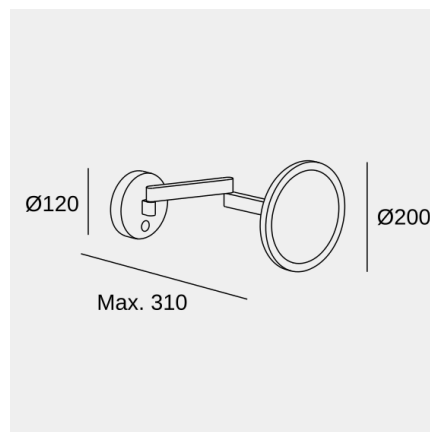


Image may not match reference. LedsC4 reserves the right to amend any of the product's components. The data related to flux, power and colour temperature may be subject to changes made by the manufacturer.



Vanity

Nahtrang Design

Bathroom Wall Light Bathroom Mirror IP44 Vanity LED 9W 3000K 256lm. Mirror Magnification x3

Logistics



x 4

Net weight (kg): 1.19

Packaged weight (kg): 1.95

Packaging: 375mm x 268mm x 190mm

Light application



Image may not match reference. LedsC4 reserves the right to amend any of the product's components. The data related to flux, power and colour temperature may be subject to changes made by the manufacturer.