



## 40001/4000/BM Lunaop

design emiliana martinelli, 2005

Hanging lamp, diameter 50cm, diffused light, coated aluminum structure in various finishes.

White opal methacrylate diffuser.

The structure needs to be connected to the ceiling through the canopy, both for the single version and for the version composed by more than one Lunaop. LED light source integrated, 4000K, 3000K or 2700K.

Canopy to be ordered separately.

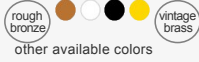


Electronic driver integrated inside the canopy available in the following versions:

- non dimmable
- dimmable Push/Dali, triac 5 fili, 0-10V e 1-10V



2015

## 40001/4000/BM lunaop

|                 |   |                     |  |
|-----------------|---|---------------------|--|
| family:         | lunaop  | Body Color:         |  other available colors |
| Designers:      | Emiliana Martinelli   | Diffuser Color:     |                         |
| Utilization:    | indoor  | Body Materials:     | aluminium  |
| Typology:       | pendant   | Diffuser Materials: | opal white methacrylate  |
| Certifications: |  |                     |  |
| Market:         | This item is available in the following countries:<br>EUROPE                        |                     |  |

### Dimensions

|           |        |
|-----------|--------|
| Width:    | -      |
| Height:   | 6,5 cm |
| Length:   | -      |
| Depth:    | -      |
| Diameter: | 50 cm  |

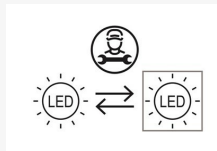
|                |      |
|----------------|------|
| Hole Diameter: | -    |
| Hole Depth:    | -    |
| Net weight:    | 2 Kg |

### Light Source

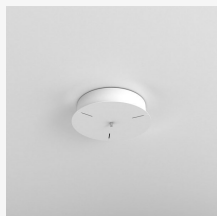
|                |         |
|----------------|---------|
| Watt:          | 48W     |
| Lumen:         | 3700 lm |
| Light Source:  | led     |
| CRI:           | >90     |
| duration:      | 50000   |
| CCT:           | 4000K   |
| Energy degree: | F       |

### Device Specifications

|                   |          |                     |        |                        |              |
|-------------------|----------|---------------------|--------|------------------------|--------------|
| Type of emission: | diffused | Power cable length: | 400 cm | Driver:                | not included |
| Power:            | 48W      | Steel cable length: | 400 cm | Power supply assembly: | external     |
| Light output:     | 2208lm   | Glow Wire Test:     | -      | Power supply:          | -            |
| Beam angle:       | -        | Impact Resistance:  | -      | Type of dimming:       | -            |
|                   |          |                     |        | Voltage:               | 24V          |



## Accessories



Canopy Lunaop  
75W not dimmable



Canopy Lunaop 75W  
dimmable



Canopy Lunaop 150W  
not dimmable



Canopy Lunaop 150W  
dimmable



Canopy Lunaop  
3x150W not dimmable



Canopy Lunaop  
2x150W dimmable



Canopy Lunaop  
3x150W dimmable



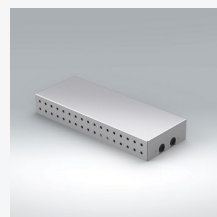
Canopy Lunaop  
2x150W not dimmable



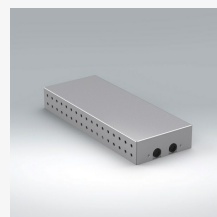
Canopy Lunaop 75W  
dimmable Triac



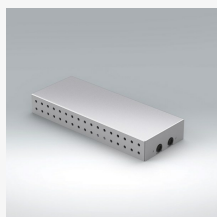
Non-dimmable power  
supply unit for 75W  
non-dimmable Lunaop



Power supply unit for  
75W push/dali  
dimmable Lunaop



Power supply unit for  
150W non-dimmable  
Lunaop



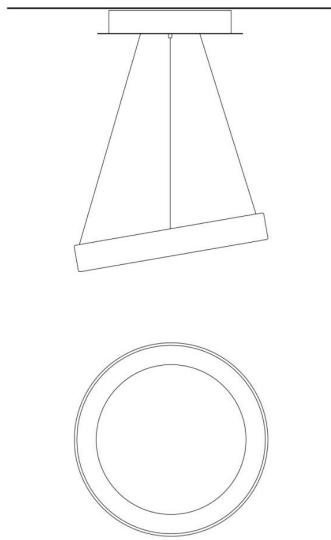
Power supply unit for  
150W push/dali  
dimmable Lunaop



Canopy Lunaop 150W  
dimmable Triac



technical drawing

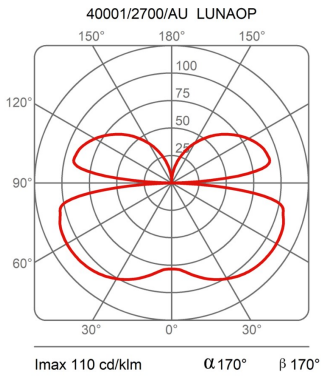


Dimensions

Width: -  
 Height: 6,5 cm  
 Length: -  
 Depth: -  
 Diameter: 50 cm

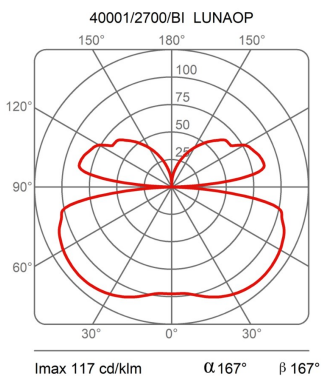
Hole Diameter: -  
 Hole Depth: -  
 Net weight: 2 Kg

photometrics data



48W 2700K LED

| h (m) | Ø           | Em (lux) |
|-------|-------------|----------|
| h1    | 21.8/21.8   | 3        |
| h2    | 43.7/43.7   | 1        |
| h3    | 65.5/65.5   | 0        |
| h4    | 87.4/87.4   | 0        |
| h5    | 109.2/109.2 | 0        |

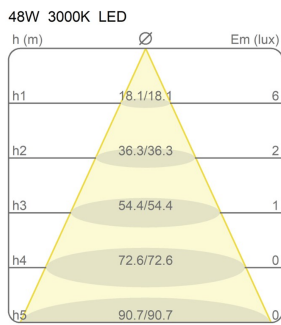
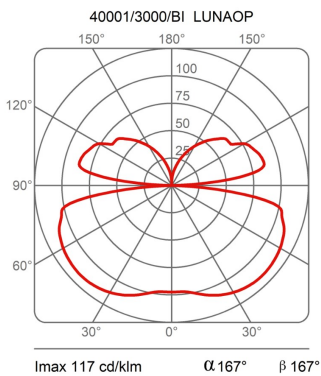
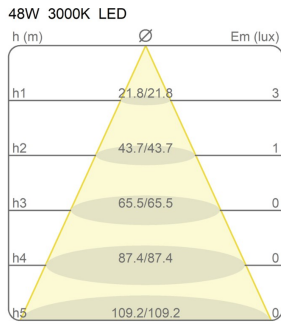
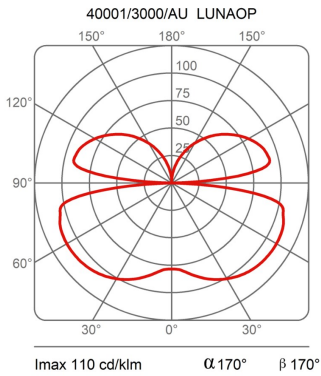
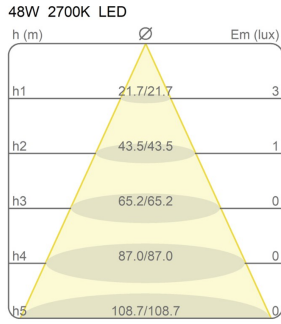
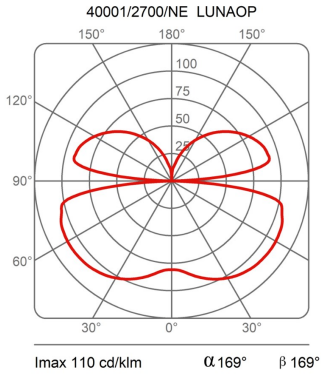
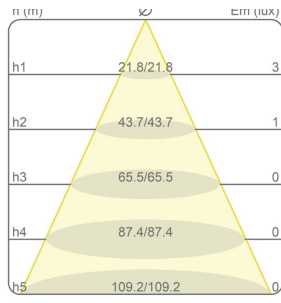
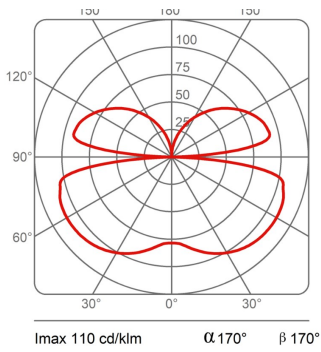


48W 2700K LED

| h (m) | Ø         | Em (lux) |
|-------|-----------|----------|
| h1    | 18.1/18.1 | 6        |
| h2    | 36.3/36.3 | 2        |
| h3    | 54.4/54.4 | 1        |
| h4    | 72.6/72.6 | 0        |
| h5    | 90.7/90.7 | 0        |

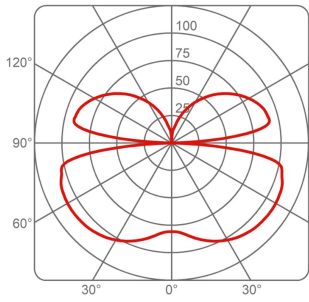
40001/2700/CU LUNAOP

48W 2700K LED

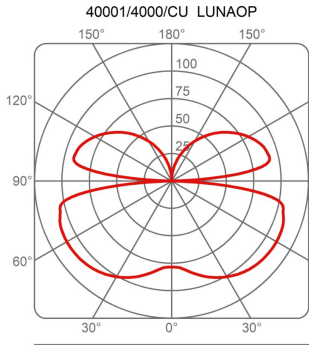
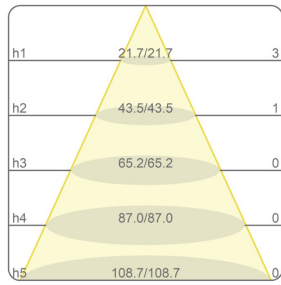


**40001/4000/NE LUNAOP**  
 150°    180°    150°

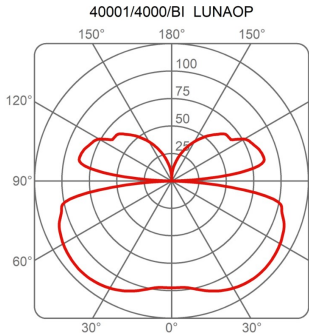
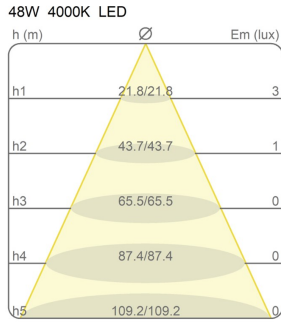
**48W 4000K LED**  
 h (m)    Ø    Em (lux)



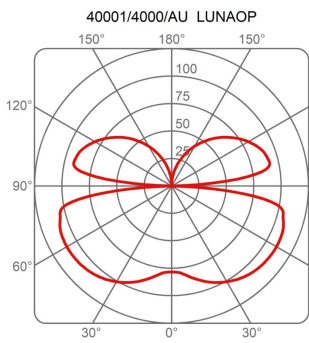
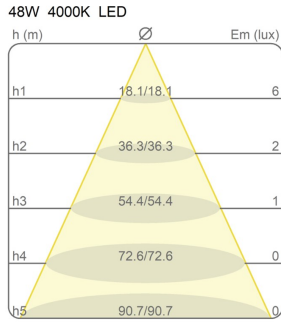
**Imax 110 cd/klm      $\alpha$  169°     $\beta$  169°**



**Imax 110 cd/klm      $\alpha$  170°     $\beta$  170°**



**Imax 117 cd/klm      $\alpha$  167°     $\beta$  167°**



**Imax 110 cd/klm      $\alpha$  170°     $\beta$  170°**

